



# QA-8DO



Visit the QA-8DO page for news, updates and downloads



## CONTENTS

Product overview	3
Technical specifications	4
Electrical characteristics	4
Communication characteristics	4
General data	5
Order codes	5
Connection and installation	6
RS485 bus termination	7
Status LEDs	8
Product features	8
Modbus	8
Digital outputs	8
Device Configuration	8
Dip-switch Modbus RTU address and baud rate setting	8
Functionality configuration	9
Q-WIZARD	9
Third-party Modbus Master	9

Function 03 Hexadecimal (Read Holding Registers)	10
Function 06 Hexadecimal (Write Single Holding Register)	11
Function 10 Hexadecimal (Write Multiple Registers)	12
Firmware update	13
Register map	13



## SAFETY WARNINGS AND CAUTIONS

The following warnings and cautions must be observed to ensure personal safety and prevent damage.



**Death** or **serious injury** may result from failure to heed this warning.



It is necessary to comply with national regulations when installing and picking materials for power lines.



**Material damage** or **serious personal injury** may result from failure to heed this warning.



Repairs and modifications must be carried out only by the manufacturer. It is forbidden to open the case and make any changes to the device. Tampering with the device will invalidate the warranty.



The manufacturer **declines all responsibility** for electrical safety in the event of improper use of the equipment.



It is essential to read the entire contents of this manual before carrying out any work.



The product described in this document may only be used for the specified application. The maximum performance data and environmental conditions specified in the product data sheet must be observed. Proper transport and storage, as well as professional assembly, installation, handling and maintenance are required for the correct and safe operation of the device.



Before commissioning, make sure that:

- the maximum values for all connections are not exceeded; refer to the product data sheet;
- the connection cables are not damaged or live during wiring;
- the direction of current flow and phase rotation are correct.

Use under ambient conditions other than those specified, application of signals or voltages other than those specified, may cause significant deviations from the specified measurement tolerances, which may be irreversible.

During installation, ensure that a switch or circuit-breaker is near the product and easily accessible.



Although the contents of this document have been checked for accuracy, it may contain errors or inconsistencies and we cannot guarantee its completeness or accuracy.

The unit must be uninstalled if safe operation can no longer be guaranteed (e.g. visible damage). Disconnect all connections in this case. The unit should be returned to the manufacturer or to an authorised service centre for repair.



This document is subject to periodic revision and updating. QEED reserves the right to make changes to the product and/or its technical documentation at any time in the interests of continuous quality improvement. Always consult the latest version of the documentation available on the website:



**WARNING:** High-intensity magnetic fields may alter the values measured by the transformer. Avoid installation near: permanent magnets, electromagnets, or iron masses. If irregularities are detected, reposition or move the unit to a more suitable location.

[www.qeed.it](http://www.qeed.it)

If you find any errors or missing information in this document, please notify us by e-mail to:

[technical@qeed.it](mailto:technical@qeed.it)



Failure to observe the warnings may result in damage to the equipment or failure to operate as intended.



Disposal of waste electrical and electronic equipment (applicable in the European Union and other countries with separate collection). The symbol on the product or its packaging indicates that the product should not be treated as household waste. Instead, it will be handed over to an authorised collection point for the recycling of electrical and electronic waste. Ensuring that the product is disposed of properly will prevent potential negative effects on the environment and human health, which could otherwise be caused by inappropriate waste management of the product. Recycling materials helps to conserve natural resources. For further information, please contact your local authority, waste disposal service or the retailer from whom you purchased the product.



Please note that the information on the nameplate must be observed.





**PRODUCT OVERVIEW**

The QA-8DO is a slave I/O module equipped with 8 SPDT relay outputs 5A - 230V<sub>AC</sub>.

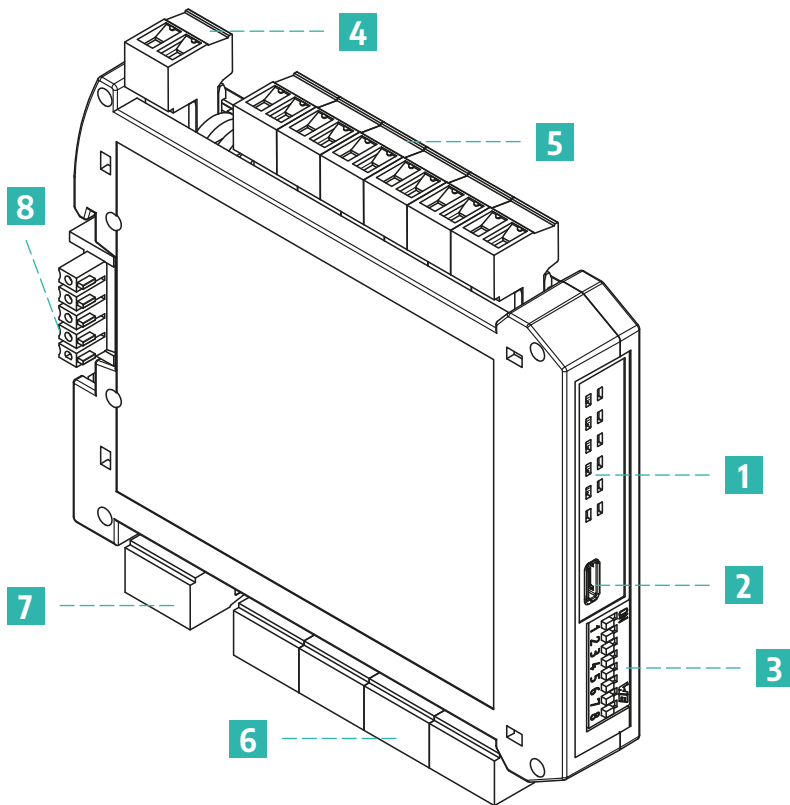
It can run on both AC and DC power.

It has full galvanic isolation between power supply, serial and USB interface and its outputs.

Power/error/communication/output status LEDs are on the front of the case.

RS485 serial interface for communication with Modbus RTU protocol, either from the **Q-WIZARD configuration tool**, or with third party Modbus masters by acting on register map registers.

Ready for DIN rail mounting with T-BUS terminal (optional) for fast connection with hot insertion/removal option.



- 1 Status LEDs
- 2 MicroUSB Port
- 3 Settings DIP switch
- 4 Power supply terminals
- 5 Output terminals
- 6 Output terminals
- 7 RS485 Modbus RTU terminals
- 8 T-BUS terminal for both power supply and Modbus RTU communication (optional)



## TECHNICAL SPECIFICATIONS

### Electrical characteristics

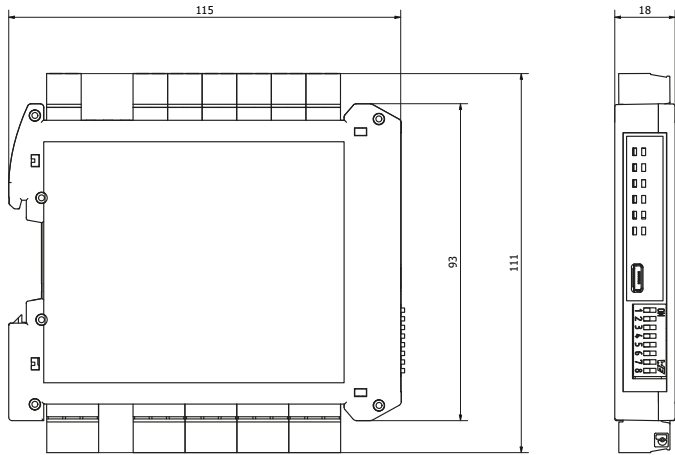

Power supply	10÷40 V <sub>DC</sub> or 20÷28 V <sub>AC</sub> @50/60Hz
Current consumption	250mA max
Isolation	RS485 serial interface, USB interface and power supply are galvanically isolated from each other at 1.5 kV Output relays isolated at 4 kV
Output	#8 digital SPDT 5A / 250V <sub>AC</sub> relays
Communication interface	RS485 Modbus RTU microUSB port
Visual interface	Status LEDs

### Communication characteristics

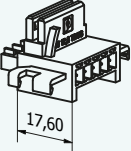
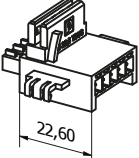
Protocol	Modbus RTU
Baudrate	1200÷115200 bps (default 9600)
Addresses	1÷247 (default 1)
Data format	1 start bit, 8-bit data, NO/ODD/EVEN parity (default NO parity)
Response delay	1÷1000ms
Connection	Via removable terminal, T-BUS or microUSB



### General data

Working temperature	-15÷60°C
Storage temperature	-40÷85°C
Relative humidity	10÷90% not condensing
Elevation	Up to 2000m a.s.l.
Protection degree	IP20
Measurements	115x111x18 mm 
Weight	143 g
Terminal cable cross-section	0.05÷1.5 mm <sup>2</sup> (30÷14 AWG)
Approvals and certifications	EN 61000-6-3 + A1 2011; EN64000-6-2/2005; EN61010-1/2010 
Installation	Inside electrical panels and mounted on a DIN rail

### Order codes

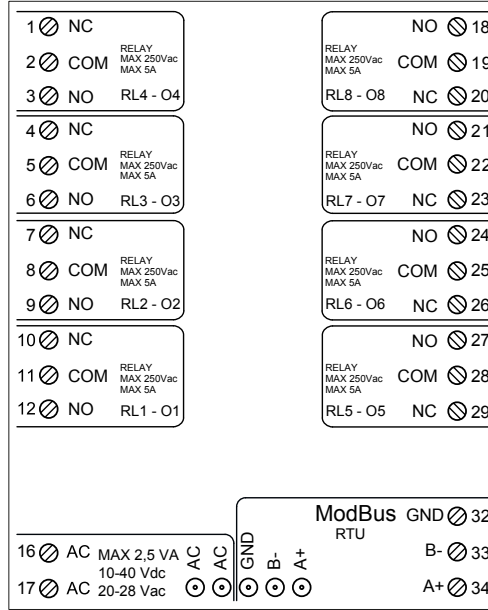
Product	QA-8DO
Product without logo	QA-8DO-T-NL
T-BUS	 QA-TBUS-17,5 width 17,6mm
	 QA-TBUS-22 width 22,6mm



## CONNECTION AND INSTALLATION

The instrument is designed to be installed inside electrical panels and mounted on a DIN rail, with or without the aid of the T-BUS connector for interfacing multiple instruments with reduced cabling.

All connection terminals are shown on the pad print on the product and correspond to the figure below:



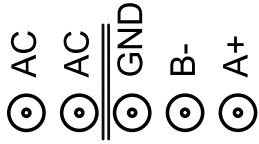
The functionality of the terminals is described below:

<p>16 ⓪ AC MAX 2,5 VA 10-40 Vdc</p> <p>17 ⓪ AC 20-28 Vac</p>	<p>Device power supply</p> <p><b>Please note:</b> Wiring must be protected against short circuits and/or accidental faults</p>																																
<table border="1"> <tr> <td>1 ⓪ NC</td> <td rowspan="3">RELAY MAX 250Vac MAX 5A</td> <td>NO ⓪ 18</td> </tr> <tr> <td>2 ⓪ COM</td> <td>COM ⓪ 19</td> </tr> <tr> <td>3 ⓪ NO</td> <td>RL4 - O4</td> <td>NC ⓪ 20</td> </tr> <tr> <td>4 ⓪ NC</td> <td rowspan="3">RELAY MAX 250Vac MAX 5A</td> <td>NO ⓪ 21</td> </tr> <tr> <td>5 ⓪ COM</td> <td>COM ⓪ 22</td> </tr> <tr> <td>6 ⓪ NO</td> <td>RL3 - O3</td> <td>NC ⓪ 23</td> </tr> <tr> <td>7 ⓪ NC</td> <td rowspan="3">RELAY MAX 250Vac MAX 5A</td> <td>NO ⓪ 24</td> </tr> <tr> <td>8 ⓪ COM</td> <td>COM ⓪ 25</td> </tr> <tr> <td>9 ⓪ NO</td> <td>RL2 - O2</td> <td>NC ⓪ 26</td> </tr> <tr> <td>10 ⓪ NC</td> <td rowspan="3">RELAY MAX 250Vac MAX 5A</td> <td>NO ⓪ 27</td> </tr> <tr> <td>11 ⓪ COM</td> <td>COM ⓪ 28</td> </tr> <tr> <td>12 ⓪ NO</td> <td>RL1 - O1</td> <td>NC ⓪ 29</td> </tr> </table>	1 ⓪ NC	RELAY MAX 250Vac MAX 5A	NO ⓪ 18	2 ⓪ COM	COM ⓪ 19	3 ⓪ NO	RL4 - O4	NC ⓪ 20	4 ⓪ NC	RELAY MAX 250Vac MAX 5A	NO ⓪ 21	5 ⓪ COM	COM ⓪ 22	6 ⓪ NO	RL3 - O3	NC ⓪ 23	7 ⓪ NC	RELAY MAX 250Vac MAX 5A	NO ⓪ 24	8 ⓪ COM	COM ⓪ 25	9 ⓪ NO	RL2 - O2	NC ⓪ 26	10 ⓪ NC	RELAY MAX 250Vac MAX 5A	NO ⓪ 27	11 ⓪ COM	COM ⓪ 28	12 ⓪ NO	RL1 - O1	NC ⓪ 29	<p>DIGITAL OUTPUTS: No. 8 SPDT 5A / 250V<sub>AC</sub> changeover relays</p> <p>RL1 – O1: digital output #1</p> <p>RL2 – O2: digital output #2</p> <p>RL3 – O3: digital output #3</p> <p>RL4 – O4: digital output #4</p> <p>RL5 – O5: digital output #5</p> <p>RL6 – O6: digital output #6</p> <p>RL7 – O7: digital output #7</p> <p>RL8 – O8: digital output #8</p>
1 ⓪ NC	RELAY MAX 250Vac MAX 5A		NO ⓪ 18																														
2 ⓪ COM			COM ⓪ 19																														
3 ⓪ NO		RL4 - O4	NC ⓪ 20																														
4 ⓪ NC	RELAY MAX 250Vac MAX 5A	NO ⓪ 21																															
5 ⓪ COM		COM ⓪ 22																															
6 ⓪ NO		RL3 - O3	NC ⓪ 23																														
7 ⓪ NC	RELAY MAX 250Vac MAX 5A	NO ⓪ 24																															
8 ⓪ COM		COM ⓪ 25																															
9 ⓪ NO		RL2 - O2	NC ⓪ 26																														
10 ⓪ NC	RELAY MAX 250Vac MAX 5A	NO ⓪ 27																															
11 ⓪ COM		COM ⓪ 28																															
12 ⓪ NO		RL1 - O1	NC ⓪ 29																														



ModBus RTU  
 GND 32  
 B- 33  
 A+ 34

RS485 Modbus RTU connection: terminals 32 (GND), 33 (B-), 34 (A+)



T-BUS connection (requires optional T-BUS accessory):  
 the T-BUS accessory can be fitted to the module base to provide both power supply and serial communication (see figure below).  
 The number of modules supported by the bus depends on the power supply used (please check the power consumption of the modules)



Figure 1: DIN-rail installation with T-BUS

**RS485 bus termination**

To avoid unbalances on the transmission bus, it is advisable to insert a termination resistor at the beginning of the RS-485 bus (typically on the USB-RS485 adapter) and at the end (typically on the last slave - which can also be activated by dip-switch). It is advisable to use 120Ω resistors with 1% tolerance, which corresponds to the typical impedance of RS485 cables.

The following images are for illustrative purposes only:

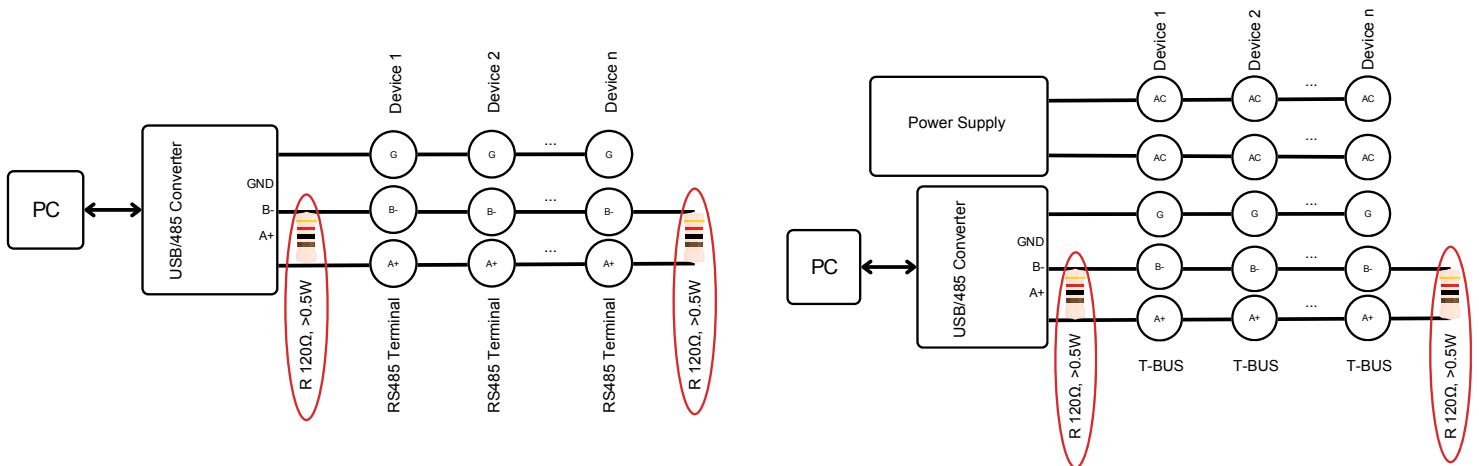


Figure 2: RS485 dynamic bus termination



## STATUS LEDS

Function	Status	Meaning
Power (green)	ON	Powered device
Fail (yellow)	ON	Presence of one or more module anomalies/errors (configurable via <b>Q-WIZARD</b> or via dedicated registers - see page 13)
RX (red)	Flashing	The system is receiving data from the RS485
TX (red)	Flashing	The system is transmitting data on the RS485
O1...O8 (green)	ON	Active digital output

## PRODUCT FEATURES

The following functions can be configured using the configuration software or the dedicated registers:

### Modbus

Address, baud rate, parities and stop bits are adjustable.

### Digital outputs

- Option to select the output status on power-up (normally open or normally closed) [Reg. 40093]
- Digital output status can also be set by operator [Reg. 40011]
- Possibility of enabling the saving of the states of the outputs and totalizers in the memory, so that they are retained when the instrument is rebooted [Reg. 40093]
- Enable timeout (0 = disabled) for resetting outputs to initial values in case of communication failure with the master module [Reg. 40079]

## DEVICE CONFIGURATION

### Dip-switch Modbus RTU address and baud rate setting

The DIP switches on the front of the module can be used to change the Modbus RTU address and baud rate. If all DIP switches are set to zero, the module takes the configuration from the EEPROM, otherwise it takes the configuration set by the DIP switches.

USB OTG	ON							
	<input type="checkbox"/>	<input type="checkbox"/>	<input type="checkbox"/>	<input type="checkbox"/>	<input type="checkbox"/>	<input type="checkbox"/>	<input type="checkbox"/>	<input type="checkbox"/>
	1	2	3	4	5	6	7	8
EEPROM	0	0	0	0	0	0		
Add: 1	0	0	0	0	0	1		
Add: 2	0	0	0	0	1	0		
Add: 63	1	1	1	1	1	1		
9600							0	0
19200							0	1
38400							1	0
57600							1	1

Addresses greater than 63 and baud rates other than those selected by the DIP switches can be configured using the **Q-WIZARD** configuration software or the Modbus RTU functions below by acting on the dedicated registers.





Raising DIP switch 1, visible through the hole in the product casing (see figure below), activates the dynamic termination (120Ω) of the Modbus RTU (to be performed only on the last module in the chain - see Figure 2 under RS485 bus termination).

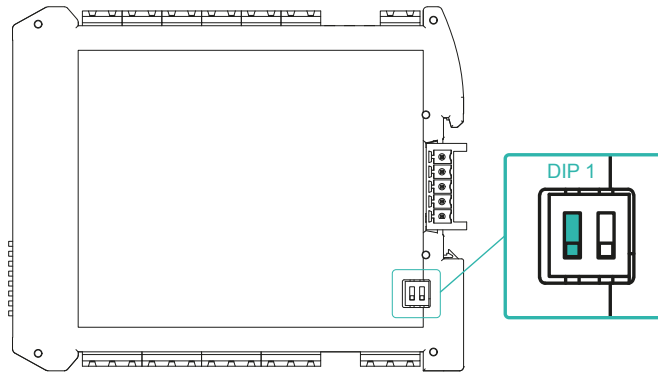


Figure 3: Dip-switch

**PLEASE NOTE:** To activate any DIP switch changes, it is necessary to switch the unit off and on again.

### Functionality configuration

It is possible to connect to the product via an RS485 serial device, such as our Q-USB485, or via the microUSB port.

If the microUSB is used for configuration only, the main power supply from the terminals is not necessary, but it must be present to have all the functions active (real-time monitoring); if configuration is made from the terminals, the power supply must always be present.

The configuration of the module can be done with our **Q-WIZARD** configuration tool or with any third-party Modbus master, by acting on the registers of the card (see page 13).

### Q-WIZARD

Using the **Q-WIZARD interface tool (downloadable from here)**, all device parameters can be configured by following the simple, intuitive steps.

In addition to the configuration of various parameters, inputs and outputs, the **Q-WIZARD** also allows real-time monitoring of device variables.

### Third-party Modbus Master

Alternatively, the product can communicate directly with a third-party Modbus RTU Master using the communication settings according to the DIP switch configuration (when using microUSB the DIP switch settings are irrelevant).

The communication protocol supported is Modbus RTU Slave:

- Modbus RTU connections: A+ and B- according to Modbus RTU standards
- Supported Modbus RTU functions: 03 hexadecimal (read multiple registers, max 100), 06 hexadecimal (write single), 10 hexadecimal (write multiple registers)
- Modbus RTU address numbering is by convention '1 BASED' (standard), but the physical register is base 0; the logical address, e.g. 40010, corresponds to the physical address #9, as required by Modbus RTU standards

**PLEASE NOTE:** All setting changes of calibration and configuration parameters must be followed by the flash save command 0xC1C0 = Flash settings save command in register 40121; changes of device communication parameters in addition must also be followed by the command 0xC1A0 = Reboot command in register 40121.

In this case, all device configurations are performed by accessing the Modbus RTU register map available in the last chapter of this document using the functions:

- Read holding registers (function 03 hexadecimal)
- Write single holding register (function 06 hexadecimal)
- Write multiple registers (function 10 hexadecimal)



### Function 03 Hexadecimal (Read Holding Registers)

This function is used to read the contents of a contiguous block of holding registers (words). The request frame specifies the source register address and the number of registers to read. A maximum of 120 registers (words) can be read with a single request, unless otherwise specified. The register data in the response message is packaged as two bytes per register (word), with the binary contents right-justified within each byte. For each register, the first byte contains the most significant bits (MSB) and the second byte contains the least significant bits (LSB).

Request Frame			
Description	Length	Value	Comments
Physical address	1 byte	1 to F7 HEX (1 to 247)	
Function code	1 byte	03 HEX	
Starting address	2 bytes	0000 to FFFF HEX	Bytes order: MSB, LSB
Number of registers (N word)	2 bytes	1 to 10 HEX (1 to 16)	Bytes order: MSB, LSB
CRC	2 bytes		

Response frame (right action)			
Description	Length	Value	Comments
Physical address	1 byte	1 to F7 HEX (1 to 247)	
Function code	1 byte	03 HEX	
Required Number of bytes	1 byte	N word * 2	
Register value	N*2 bytes		Bytes order: MSB, LSB
CRC	2 bytes		

Response frame (wrong action)			
Description	Length	Value	Comments
Physical address	1 byte	1 to F7 HEX (1 to 247)	Possible exception: 01: illegal function 02: illegal data address 03: Illegal data value 04: Slave device failure
Function code	1 byte	83 HEX	
Exception code	1 byte	01, 02, 03, 04 (see note)	
CRC	2 bytes		



**Function 06 Hexadecimal** (Write Single Holding Register)

This function is used to write a single holding register. The request frame specifies the address of the register (word) to be written and its contents. The correct response is an echo of the request, returned after the contents of the register have been written.

Request frame			
Description	Lenght	Value	Comments
Physical address	1 byte	1 to F7 HEX (1 to 247)	
Function code	1 byte	06 HEX	
Starting address	2 bytes	0000h to FFFF HEX	Bytes order: MSB, LSB
Register value	2 bytes	0000h to FFFF HEX	Bytes order: MSB, LSB
CRC	2 bytes		

Response frame (right action)			
Description	Lenght	Value	Comments
Physical address	1 byte	1 to F7 HEX (1 to 247)	
Function code	1 byte	06 HEX	
Starting address	2 bytes	0000h to FFFF HEX	Bytes order: MSB, LSB
Register value	2 bytes	0000h to FFFF HEX	Bytes order: MSB, LSB
CRC	2 bytes		

Response frame (wrong action)			
Description	Lenght	Value	Comments
Physical address	1 byte	1 to F7 HEX (1 to 247)	Possible exception: 01: illegal function 02: illegal data address 03: Illegal data value 04: Slave device failure
Function code	1 byte	86 HEX	
Exception code	1 byte	01, 02, 03, 04 (see note)	
CRC	2 bytes		



### Function 10 Hexadecimal (Write Multiple Registers)

This function is used to write a block of contiguous registers (maximum of 2). The required values to be written are specified in the data field of the request. The data is packed as two bytes per register.

A correct response returns the function code, the starting address and the number of registers written.

Request frame			
Description	Lenght	Value	Comments
Physical address	1 byte	1 to F7 HEX (1 to 247)	
Function code	1 byte	10 HEX	
Starting address	2 bytes	0000 to FFFF HEX	Bytes order: MSB, LSB
Number of registers (N word)	2 bytes	0001 to 0078 HEX	Bytes order: MSB, LSB
Byte counting	1 byte	N word * 2	
Register value	N * 2 bytes	value	Bytes order: MSB, LSB
CRC	2 bytes		

Response frame (right action)			
Description	Lenght	Value	Comments
Physical address	1 byte	1 to F7 HEX (1 to 247)	
Function code	1 byte	10 HEX	
Starting address	2 bytes	0000 to FFFF HEX	Bytes order: MSB, LSB
Number of registers (N word)	2 bytes	0001 to 0078 HEX	Bytes order: MSB, LSB
CRC	2 bytes		

Response frame (wrong action)			
Description	Lenght	Value	Comments
Physical address	1 byte	1 to F7 HEX (1 to 247)	Possible exception: 01: illegal function 02: illegal data address 03: Illegal data value 04: Slave device failure
Function code	1 byte	90 HEX	
Exception code	1 byte	01, 02, 03, 04 (see note)	
CRC	2 bytes		



## FIRMWARE UPDATE

Using a standard pendrive to hold the file and a micro-USB OTG cable, the product is ready for firmware updates via the USB port. To update the firmware, simply remove power from the module, insert the pendrive on the card with the file on it and restore the power supply. At this point the card will automatically download the file and update the firmware without changing the settings during programming. The FAIL LED will flash during the update phase.

## REGISTER MAP

Default values are in **bold**.

Address Modbus	Description	Register Type	R/W	Default
40001	Machine ID	UShort [16b]	R	27
40002	Firmware version	UShort [16b]	R	
40003	Status: bit[0] = Fail eeprom calibration bit[1] = Fail eeprom settings bit[2] = Fail hw bit[3] = Fail log bit[4] = Fail rtc bit[5] = Fail eeprom bit[7] = Fail fram	UShort [16b]	R	0
40005	Digital output real-time status: bit[0] = Dout1 ... bit[7] = Dout8	UShort [16b]	R	
40006	DIP switch status: bit[0] = DIP1 ... bit[1] = DIP8	UShort [16b]	R	
40011	Manual setting Dout: bit[0] = Dout1 ... bit[7] = Dout8	UShort [16b]	R/W	
40079	Timeout [sec*10], after which outputs are switched to Dout initial state (reg. 40093) (0 = disabled)	UShort [16b]	R/W	0
40093	Dout settings: bit[0] = dout1 init state: <b>0 → open</b> 1 → close bit[1] = dout2 init state: <b>0 → open</b> 1 → close ... bit[7] = dout8 init state: <b>0 → open</b> 1 → close bit[14] = Timeout <b>0 → disabled</b> 1 → enabled bit[15] = FRAM for Dout <b>0 → disabled</b> 1 → enabled	UShort [16b]	R/W	0
40094	Modbus address, parity, stopbits: MSB: modbus address ( <b>default = 1</b> ) LSB: bit[0-1] = parity <b>0 → none</b> 1 → Odd 2 → Even LSB: bit[2] = stop bits <b>0 → 1</b> 1 → 2	UShort [16b]	R/W	256
40095	Baudrate value: 0 = 1200 1 = 2400 2 = 4800 <b>3 = 9600</b> 4 = 19200 5 = 38400 6 = 57600 7 = 115200	UShort [16b]	R/W	3



Address Modbus	Description	Register Type	R/W	Default
40121	Command: 0xC1C0 = Flash setting save command 0xD166 = Dip read command 0xC1A0 = Reboot command	UShort [16b]	R/W	0
40127	HW version	UShort [16b]	R/W	

**LEGEND:**

Short [16b] = Signed Short (16 bit)  
UShort [16b] = Unsigned Short (16 bit)

Long [32b-MSW] = Signed Long (32 bit - MSW First Register)  
Long [32b-LWS] = Signed Long (32 bit - LSW First Register)  
ULong [32b-LSW] = Unsigned Long (32 bit - LSW First Register)  
ULong [32b] = Unsigned Long (32 bit)

Float [32b-MSW] = Float (32 bit - MSW First Register)  
Float [32b-LSW] = Float (32 bit - LSW First Register)

UInt [16b] = Unsigned Integer (16 bit)  
UInt [32b-MSW] = Unsigned Integer (32 bit - MSW First Register)  
Int [64b-LSW] = Signed Long Long (64 bit - LSW First Register)



**D.E.M. SpA**

Zona Ind. Villanova 20  
32013 Longarone (BL)  
ITALIA

[www.dem-it.com](http://www.dem-it.com)  
[www.qeed.it](http://www.qeed.it)

As standards, specifications, and design change from time to time, please ask for confirmation of the information given in this publication.