



# QI-KCT-xx-xxx/333



Visit the **QI-KCT-xx-xxx/333** page  
for news, updates and downloads



## CONTENTS

Product overview .....	3
Installation .....	3
Technical specifications .....	4
Electrical characteristics .....	4
Sensitivity in conductor placement .....	4
General data .....	4
Mechanical dimensions .....	4



## SAFETY WARNINGS AND CAUTIONS

The following warnings and cautions must be observed to ensure personal safety and prevent damage.



**Death** or **serious injury** may result from failure to heed this warning.



It is necessary to comply with national regulations when installing and picking materials for power lines.



**Material damage** or **serious personal injury** may result from failure to heed this warning.



Repairs and modifications must be carried out only by the manufacturer. It is forbidden to open the case and make any changes to the device. Tampering with the device will invalidate the warranty.



The manufacturer **declines all responsibility** for electrical safety in the event of improper use of the equipment.



It is essential to read the entire contents of this manual before carrying out any work.



The product described in this document may only be used for the specified application. The maximum performance data and environmental conditions specified in the product data sheet must be observed. Proper transport and storage, as well as professional assembly, installation, handling and maintenance are required for the correct and safe operation of the device.



Before commissioning, make sure that:

- the maximum values for all connections are not exceeded; refer to the product data sheet;
- the connection cables are not damaged or live during wiring;
- the direction of current flow and phase rotation are correct.

Use under ambient conditions other than those specified, application of signals or voltages other than those specified, may cause significant deviations from the specified measurement tolerances, which may be irreversible.

During installation, ensure that a switch or circuit-breaker is near the product and easily accessible.



Although the contents of this document have been checked for accuracy, it may contain errors or inconsistencies and we cannot guarantee its completeness or accuracy.

The unit must be uninstalled if safe operation can no longer be guaranteed (e.g. visible damage). Disconnect all connections in this case. The unit should be returned to the manufacturer or to an authorised service centre for repair.



This document is subject to periodic revision and updating. QEED reserves the right to make changes to the product and/or its technical documentation at any time in the interests of continuous quality improvement. Always consult the latest version of the documentation available on the website:



**WARNING:** High-intensity magnetic fields may alter the values measured by the transformer. Avoid installation near: permanent magnets, electromagnets, or iron masses. If irregularities are detected, reposition or move the unit to a more suitable location.

[www.qeed.it](http://www.qeed.it)

If you find any errors or missing information in this document, please notify us by e-mail to:

[technical@qeed.it](mailto:technical@qeed.it)



Failure to observe the warnings may result in damage to the equipment or failure to operate as intended.



Disposal of waste electrical and electronic equipment (applicable in the European Union and other countries with separate collection). The symbol on the product or its packaging indicates that the product should not be treated as household waste. Instead, it will be handed over to an authorised collection point for the recycling of electrical and electronic waste. Ensuring that the product is disposed of properly will prevent potential negative effects on the environment and human health, which could otherwise be caused by inappropriate waste management of the product. Recycling materials helps to conserve natural resources. For further information, please contact your local authority, waste disposal service or the retailer from whom you purchased the product.



Please note that the information on the nameplate must be observed.





## PRODUCT OVERVIEW

A variety of split-core current transformers designed for AC measurement with primary ratings from 5A to 600A and voltage output.

Designed to fit into tight spaces without the need to disconnect cables during installation, reducing intervention time, it offers a compact design with a mechanical hinge for opening and closing.

These current transformers can be used with our **QC-ENERGY-3T** and **QE-POWER-x** network analysers or with our **QE-CURRENT-485** signal converter.

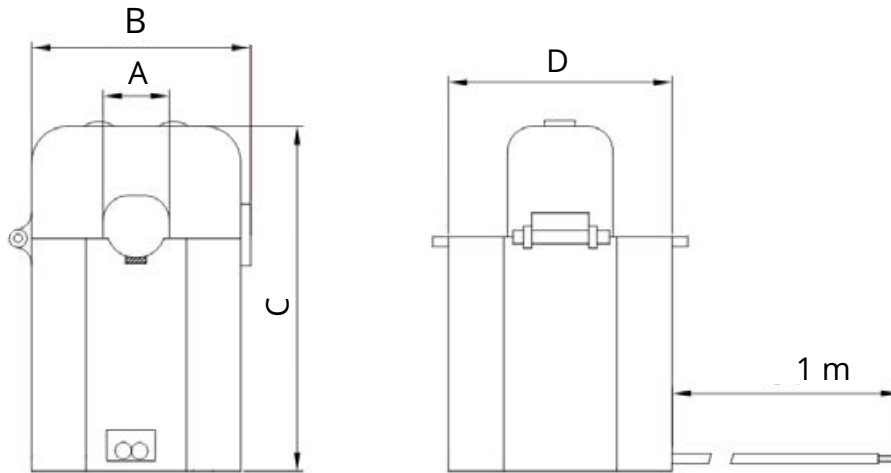


Figure 1: QI-KCT-xx-xxx/333 installation dimension

## INSTALLATION

At the primary, the direction of current flow is intended as input on P1 (or K) and output on P2 (or L) as indicated on the product case (also with an arrow). Similarly at the secondary S1 (white or red) is intended as the input and S2 (black) for the output current.

On the product there are also tabs for attaching the cable via cable ties.



## TECHNICAL SPECIFICATIONS

### Electrical characteristics

Secondary output	333mV
Accuracy	depending on the model
Frequency	50/60 Hz
Nominal voltage	0,66 kV
Isolation	2 kV
Isolation class	CAT III 600
Standard	IEC61869

### Sensitivity in conductor placement

Model	Nominal Primary current [A]	Maximum current [A]	Accuracy class
QI-KCT-06-5/333	5	15	1%
QI-KCT-10-30/333	30	80	0.5%
QI-KCT-10-50/333	50	80	0.5%
QI-KCT-16-80/333	80	120	0.5%
QI-KCT-16-100/333	100	120	0.5%
QI-KCT-24-100/333	100	400	1%
QI-KCT-24-200/333	200	400	0.5%
QI-KCT-24-300/333	300	400	0.5%
QI-KCT-36-300/333	300	400	0.5%
QI-KCT-36-400/333	400	620	0.5%
QI-KCT-36-600/333	600	620	0.5%

### General data

Working temperature	-40°C ÷ 55°C
Storage temperature	-40°C ÷ 85°C
Relative humidity	95% max without condensation
Cable length	1 m
Secondary cable section	AWG 18
Housing material	Nylon UL94-V0

### Mechanical dimensions

Model	Max. cable diameter [mm]	B [mm]	C [mm]	D [mm]
QI-KCT-06-5 A/333	6	15,1	25,8	16,8
QI-KCT-10-30/333	10	23	40	26
QI-KCT-10-30/333	10			
QI-KCT-16-80/333	16	32	46	31
QI-KCT-16-100/333	16			
QI-KCT-24-100/333	24	46	65	35
QI-KCT-24-200/333	24			
QI-KCT-24-300/333	24			
QI-KCT-36-300/333	36	57,5	85,2	41,4
QI-KCT-36-400/333	36			
QI-KCT-36-600/333	36			



## **D.E.M. SpA**

Zona Ind. Villanova 20  
32013 Longarone (BL)  
ITALIA

[www.dem-it.com](http://www.dem-it.com)  
[www.qeed.it](http://www.qeed.it)

As standards, specifications, and design change from time to time, please ask for confirmation of the information given in this publication.